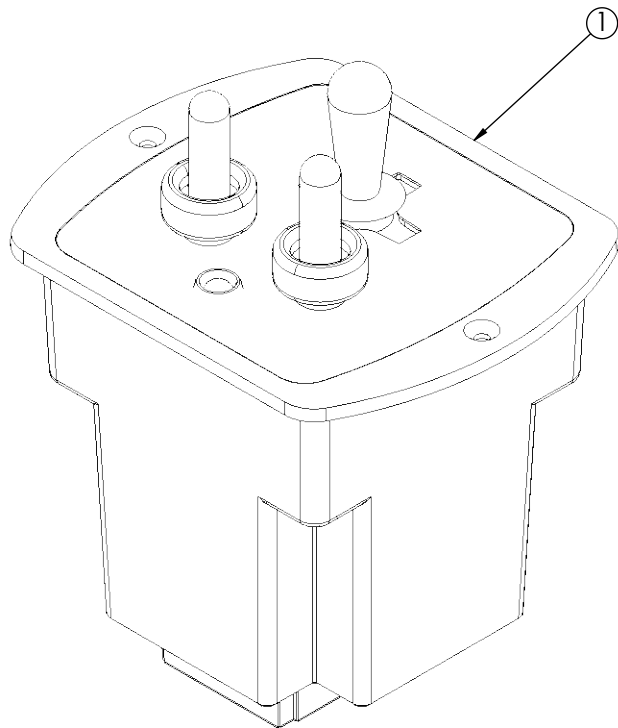


REVISION HISTORY		
REV.	DESCRIPTION	DATE
01	PRELIMINARY RELEASE PER EL0057	2017-06-14
A	INITIAL RELEASE PER EL0057	2017-08-24
B	REVISED PER EC4720	2019-03-22



ITEM NO.	QTY.	DESCRIPTION	COMMENTS
1	1	ASSY,SUB,DASH MNT JOYSTK CNTRL	
2	1	LABEL,PRODUCT, EZ3011	NOT SHOWN
3	1	LABEL,BOX, EZ3011, 0.75"X2.25	NOT SHOWN
4	1	BOX,ACCESSORY,WHITE,EZ3011 JOYSTICK CNTR	NOT SHOWN

APPROVALS	DATE
DRAWN BY ABB	2019-03-20
CHECKED MDH	2019-03-21
MECH. ENG.	
ELEC. ENG.	
MFG. ENG. KLR	2019-03-21



United States
1-800-635-5900
Americas@eccogroup.com

United Kingdom
+44 (0)113 237 5340
Europe@eccogroup.com

Australia
+61 (0)3 63322444
AsiaPacific@eccogroup.com

ACCESSORY DASH MNT JOYSTK CNTRL

PROPRIETARY AND CONFIDENTIAL INFORMATION
THIS DRAWING AND THE DESIGN AND OTHER INFORMATION DISCLOSED HEREIN ARE THE PROPERTY OF ELECTRONIC CONTROLS COMPANY AND/OR ITS ECCO SAFETY GROUP AFFILIATES ("ESG") AND IS ISSUED IN CONFIDENCE TO RECIPIENT FOR ENGINEERING INFORMATION PURPOSES ONLY. THIS DRAWING AND THE DESIGN AND OTHER INFORMATION DISCLOSED HEREIN MAY NOT BE USED, COPIED, REPRODUCED OR OTHERWISE DISCLOSED IN PART OR IN WHOLE TO THIRD PARTIES OR USED FOR ANY OTHER PURPOSE WITHOUT PRIOR ESG WRITTEN CONSENT. ESG RESERVES ALL PATENT, COPYRIGHT, TRADEMARK AND OTHER PROPRIETARY RIGHTS TO THIS DOCUMENT, INCLUDING ALL DESIGN, MANUFACTURING, REPRODUCTION, USE AND SALES RIGHTS THERETO. THIS DRAWING IS SUBJECT TO RECALL BY ESG AT ANY TIME, AND YOUR POSSESSION AND/OR USE CONSTITUTES ACCEPTANCE OF THESE TERMS. ©2017 ELECTRONIC CONTROLS COMPANY

SCALE 1:0.75
CAD GENERATED DRAWING
DO NOT MANUALLY UPDATE.
MODEL REFERENCED: A

Electronically Controlled Use Latest Copy	SIZE: A	DWG. NO. EZ3011	REV. B
SHEET 1 OF 1	Project: EL0057	Date Created: 2017-06-14	